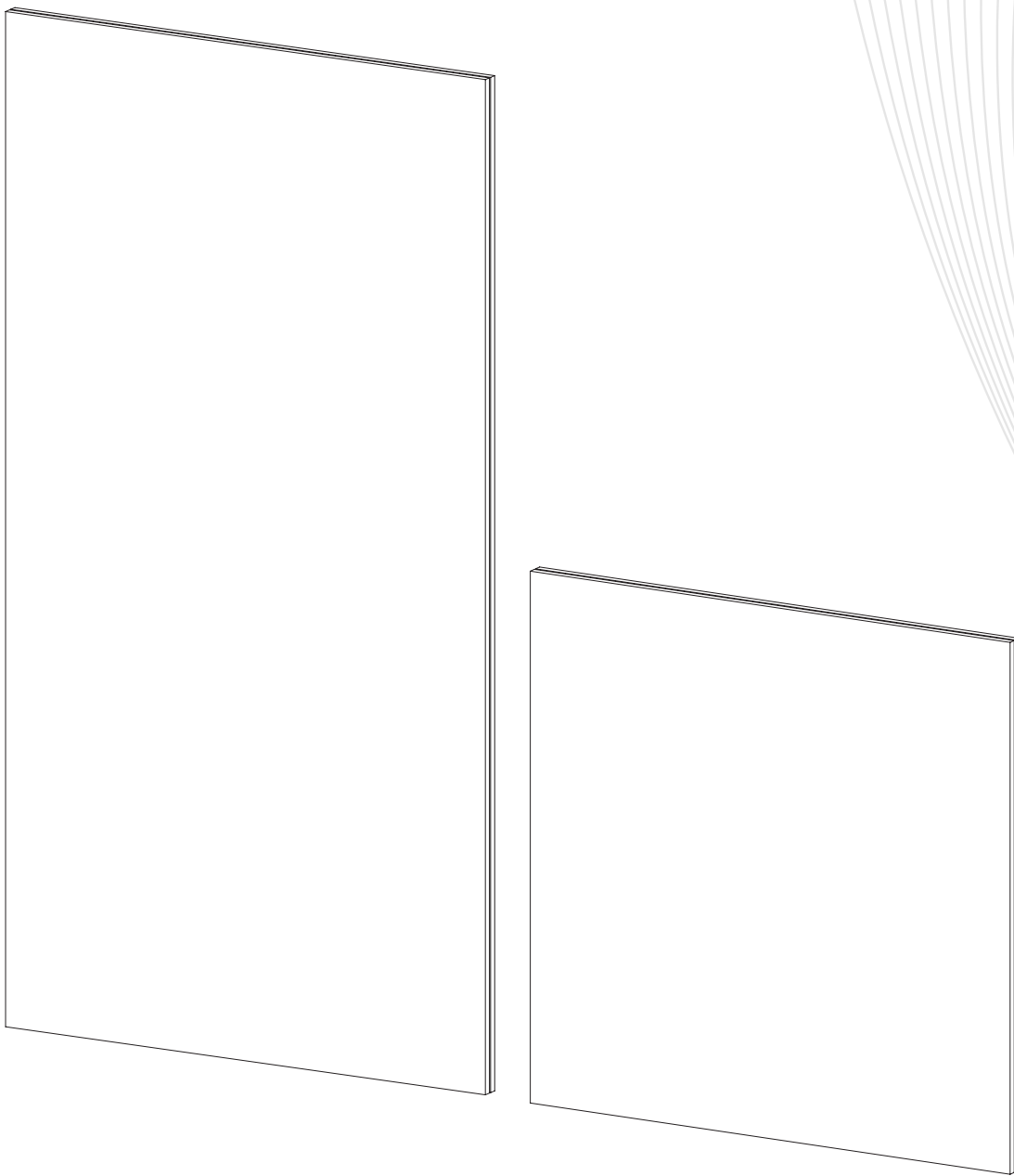


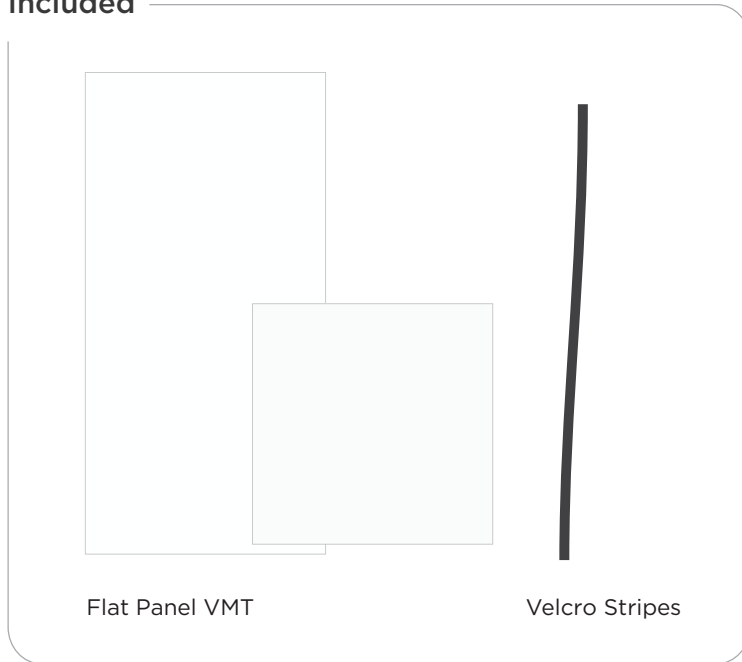
Installation Manual

Flat Panel VMT

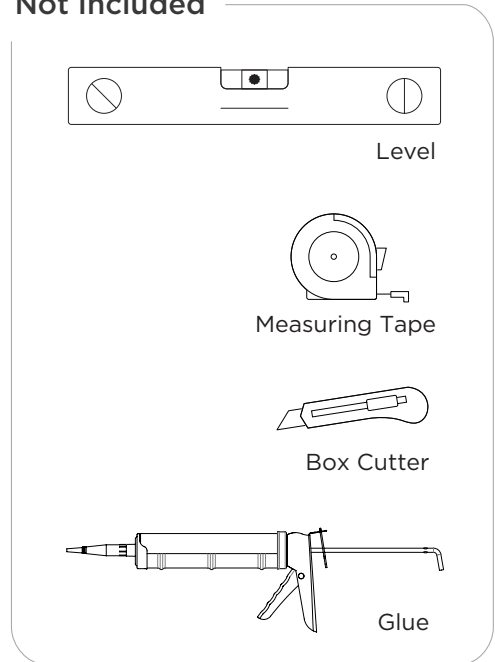


MATERIAL NEEDED:

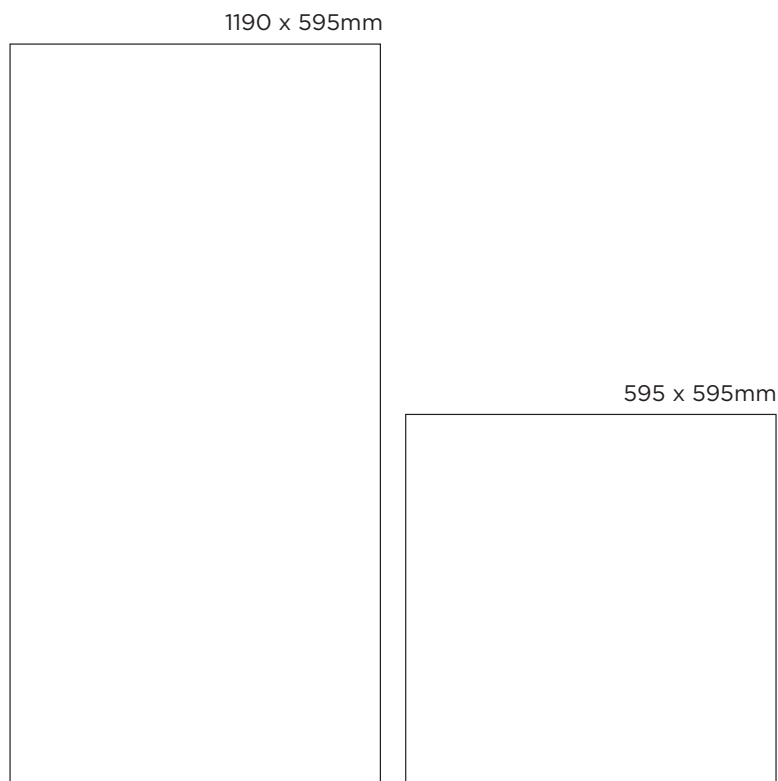
Included



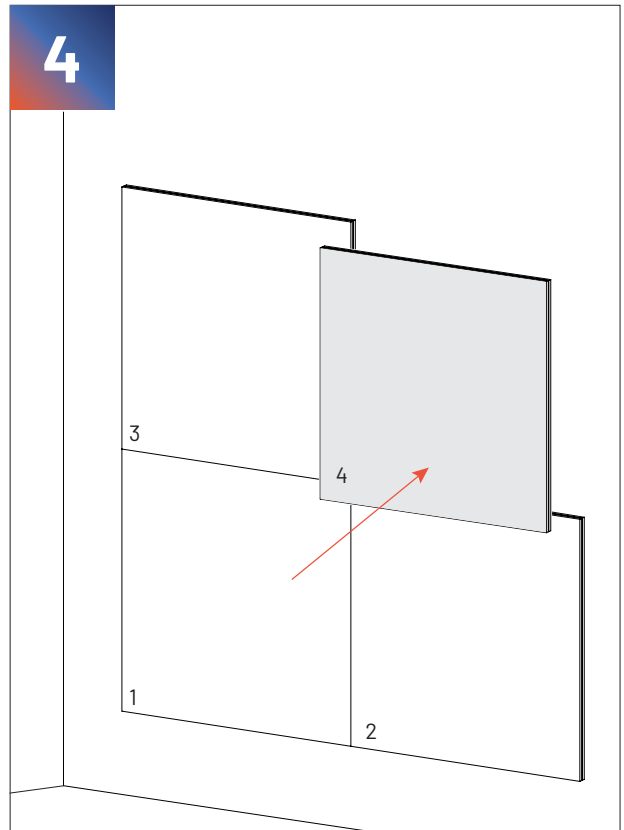
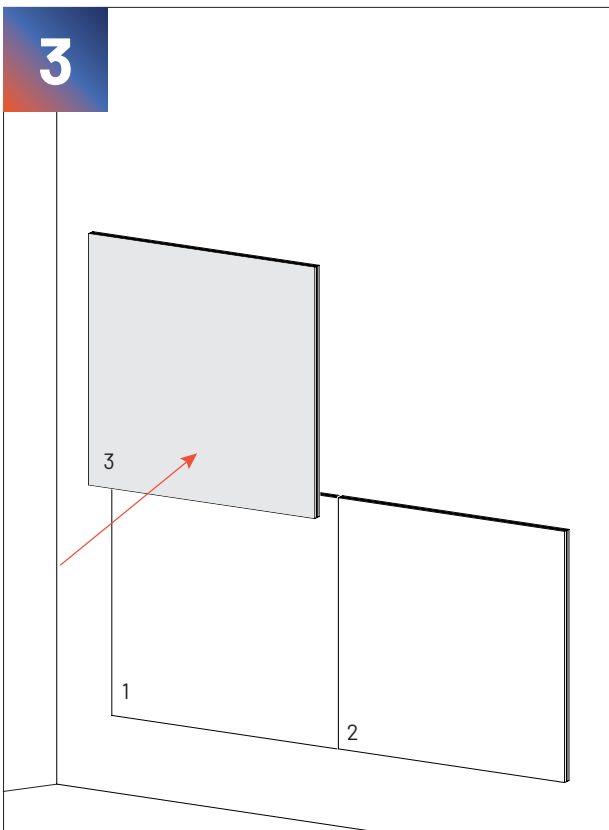
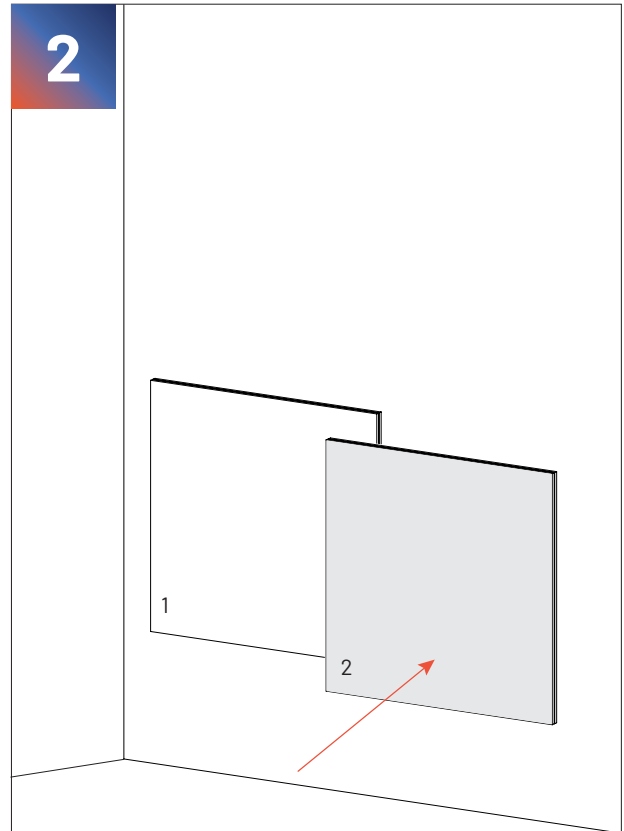
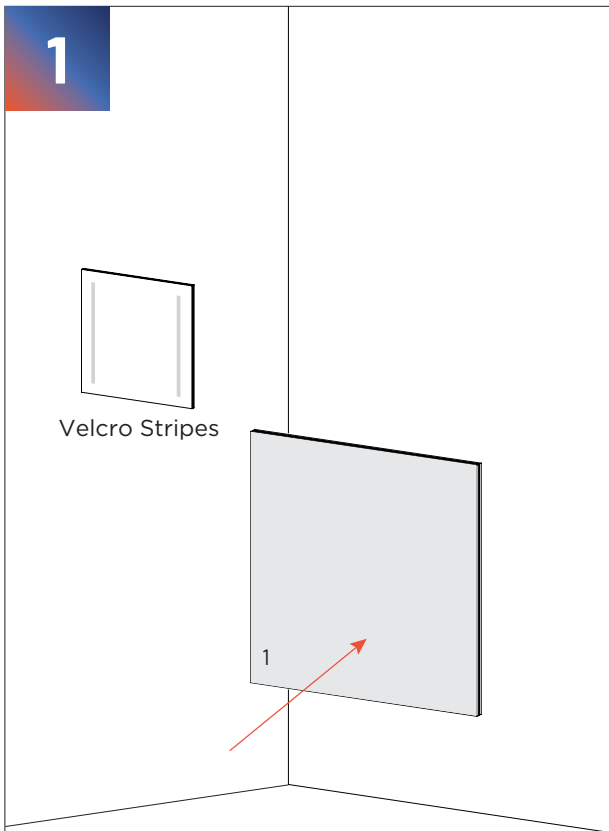
Not Included



AVAILABLE FORMATS:



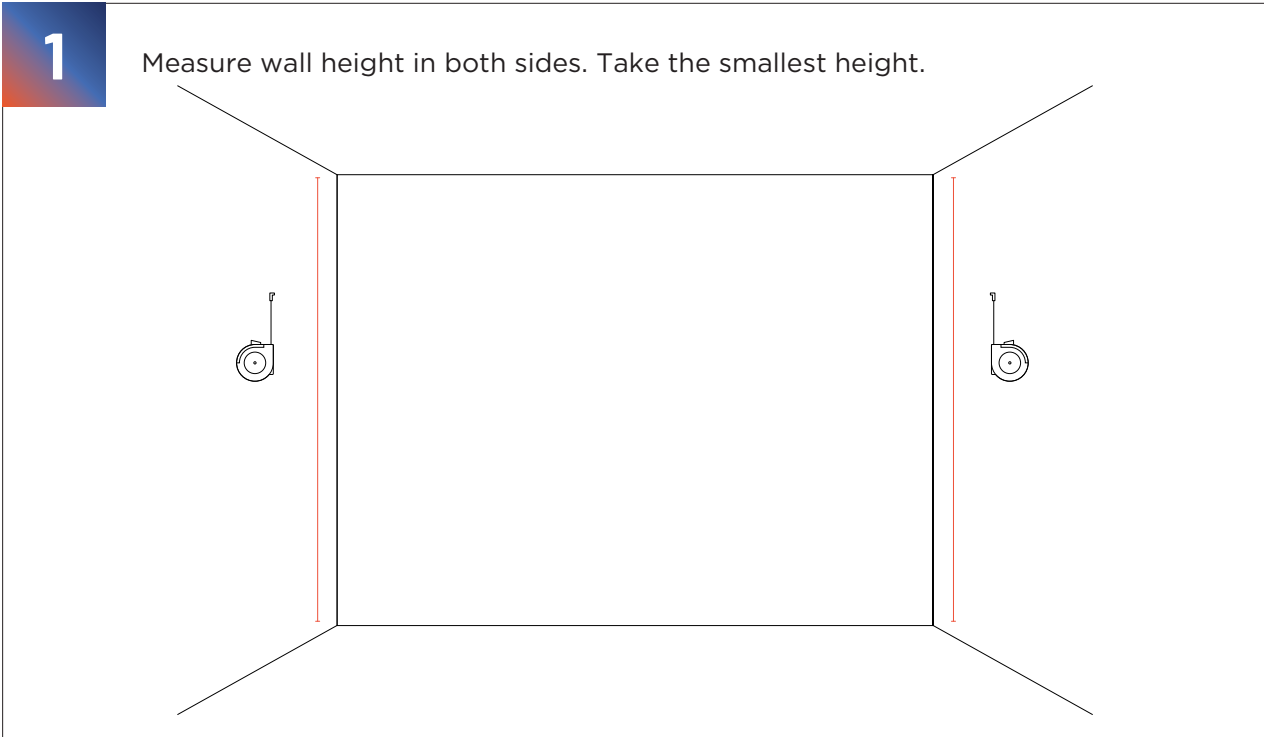
PARTIAL WALL INSTALLATION



FULL WALL INSTALLATION

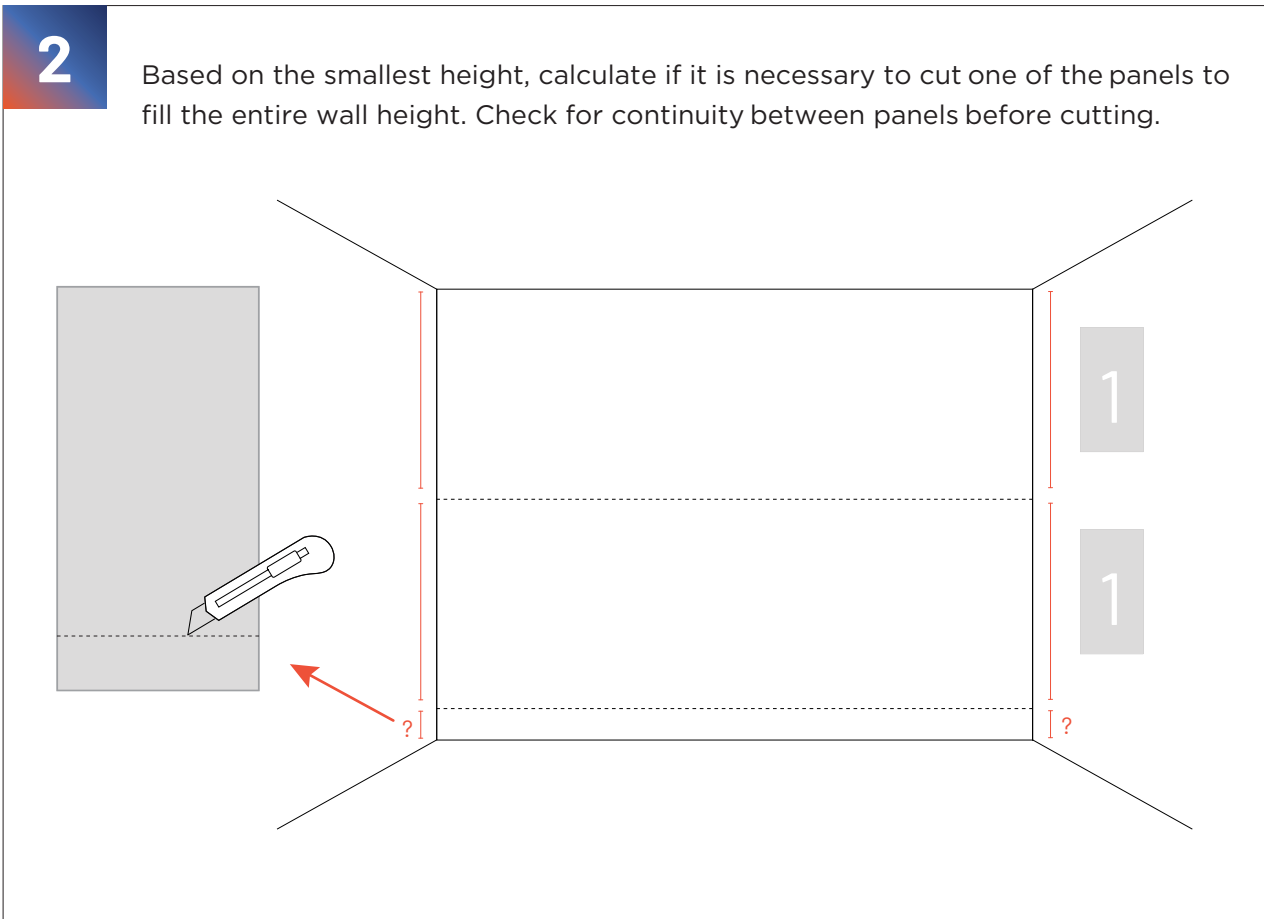
1

Measure wall height in both sides. Take the smallest height.



2

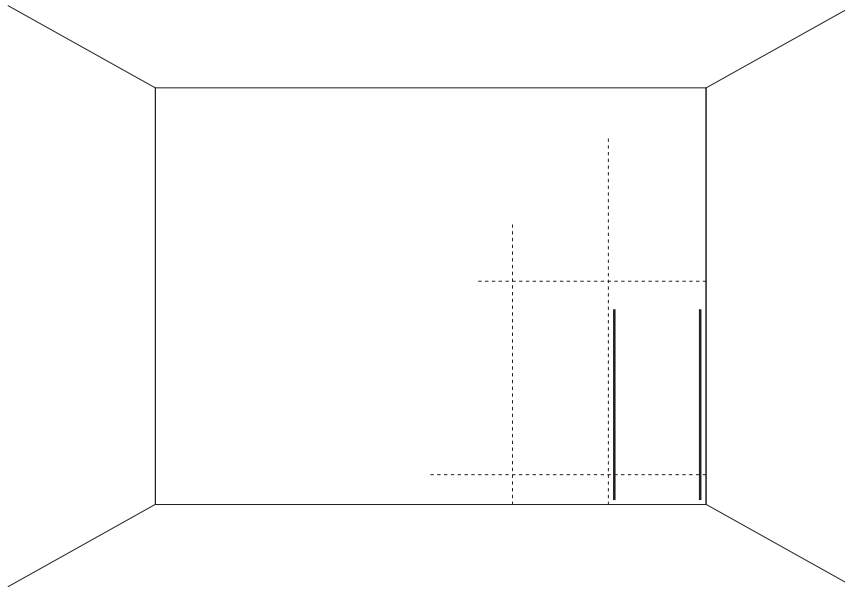
Based on the smallest height, calculate if it is necessary to cut one of the panels to fill the entire wall height. Check for continuity between panels before cutting.



FULL WALL INSTALLATION

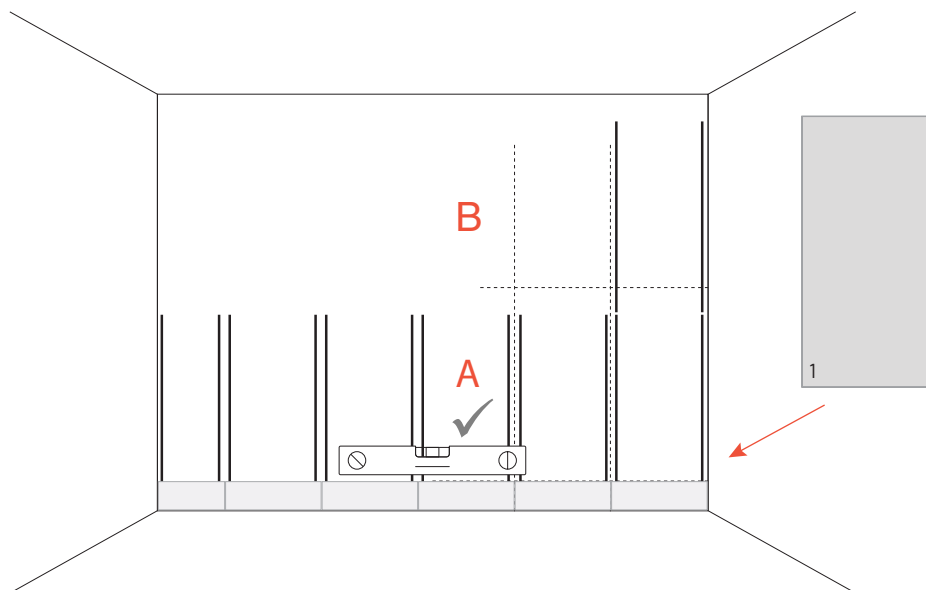
3

Glue the Velcro tape in the wall. It is recommended to use 2 stripes of Velcro per panel (included). You can also glue the panels directly to the wall with Flexi Glue Ultra



4

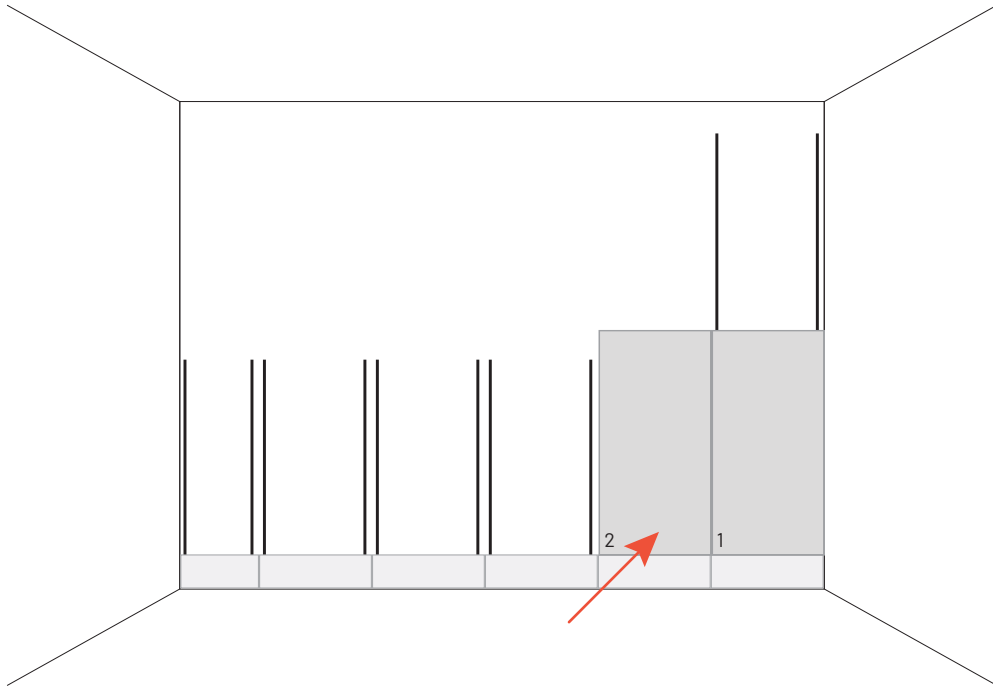
Start the installation from the bottom-right side (If cuted panels are going to be used it is recommended to start with these). Check if panels are leveled before proceeding to next row.



FULL WALL INSTALLATION

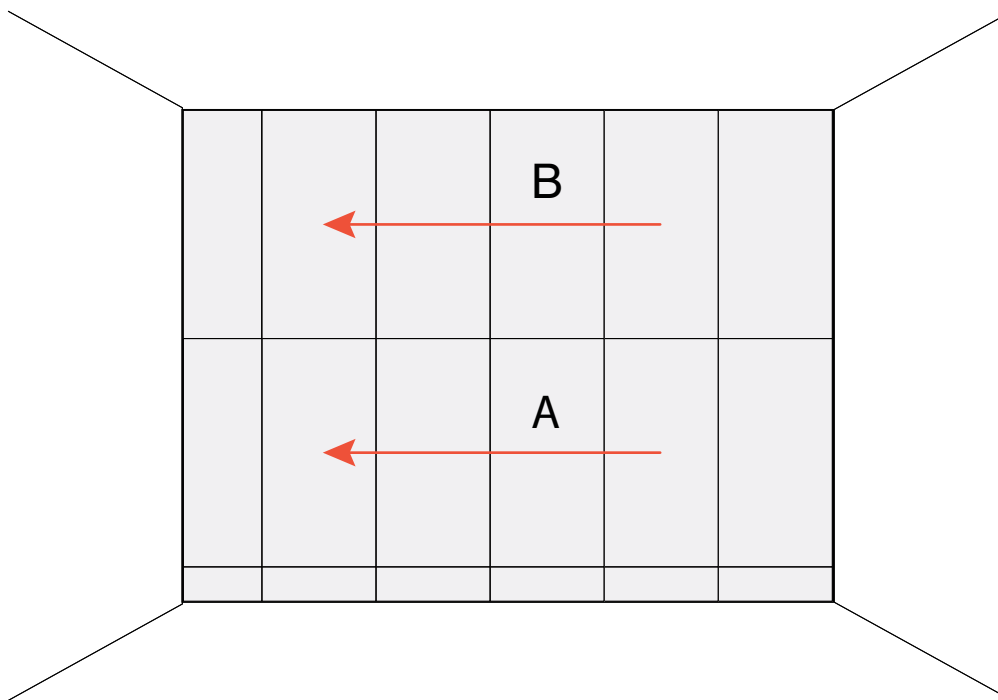
5

Install the remaining panels.



6

VMT boards can be installed vertically or horizontally, depending on the pattern and desired orientation.



For the installation of Flat Panel VMT on the ceiling, we recommend using Flexi Glue Ultra.
Do not apply Flat Panel VMT behind radiators or too close to a heat source.



Head Office: Unit No.2G, Laxmi Industrial Estate, New Link Road, Andheri (W), Mumbai - 400 053.

R&D Office: Survey No. 271/4, New Sr. No. 3099/1, Village - Khattalwada, Malkhet, Near Gram Panchayat
Malkhet, Taluka - Umbergaon, Dist - Valsad, Gujarat - 396 120.

Info and Sales: info@uniacoustic.com

www.uniacoustic.com