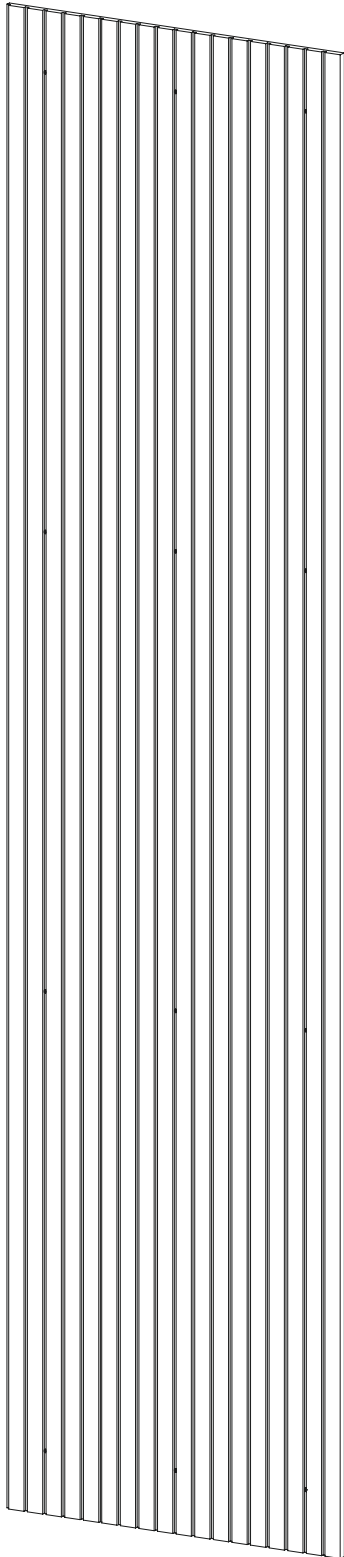


# Installation Manual

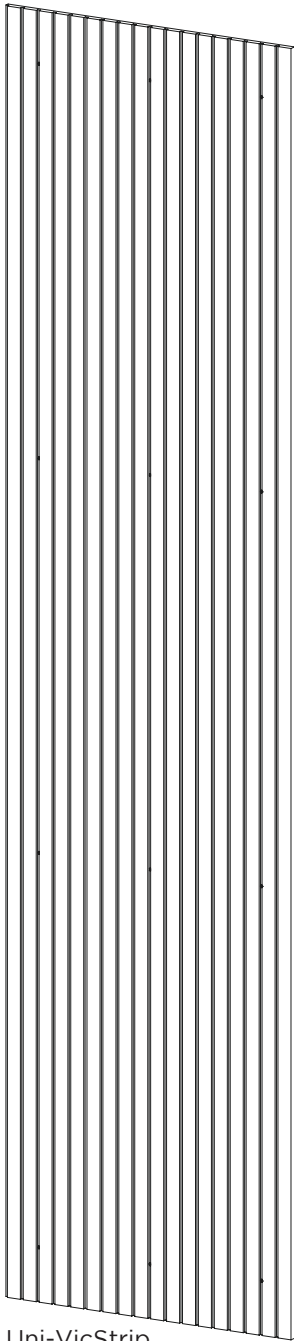
---



## Uni-VicStrip

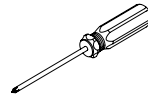
**MATERIAL NEEDED:**

**Included**

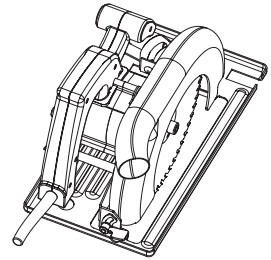


Screws (Only in the Uni-VicStrip single line version)

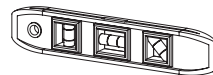
**Not Included**



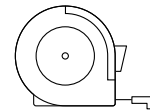
Screwdriver



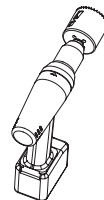
Circular saw



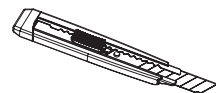
Level



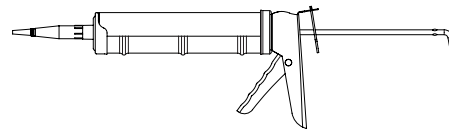
Measuring Tape



Hole saw



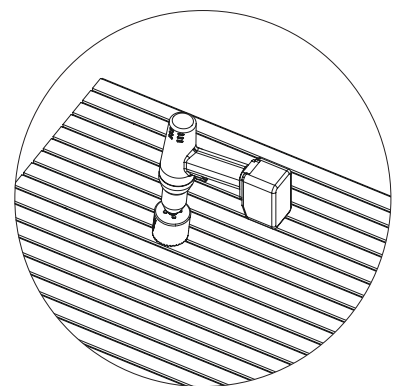
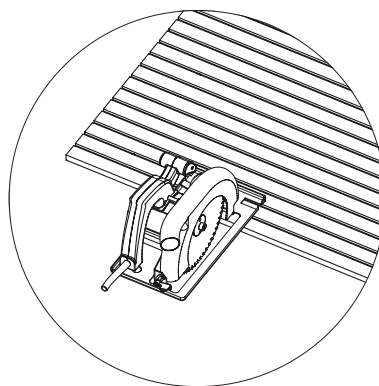
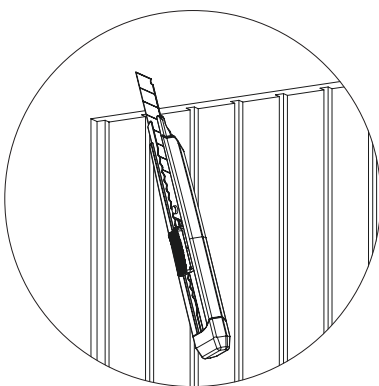
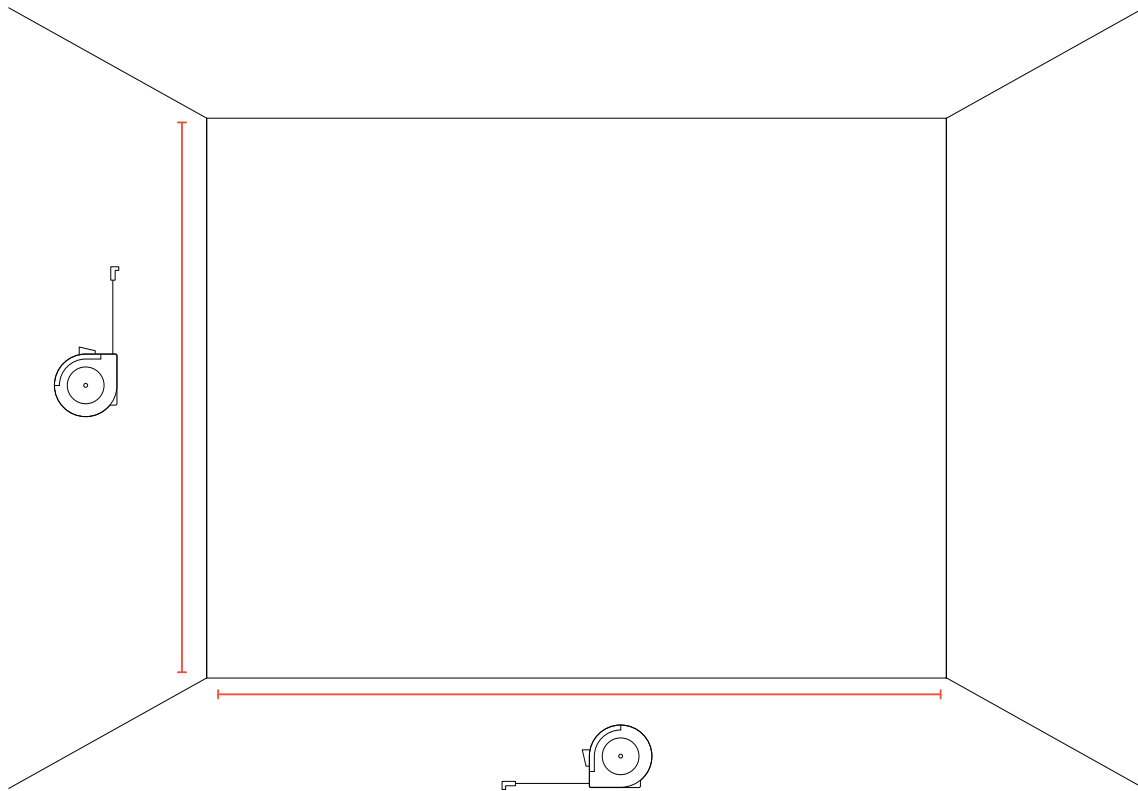
Box cutter



Flexi Glue Ultra

1

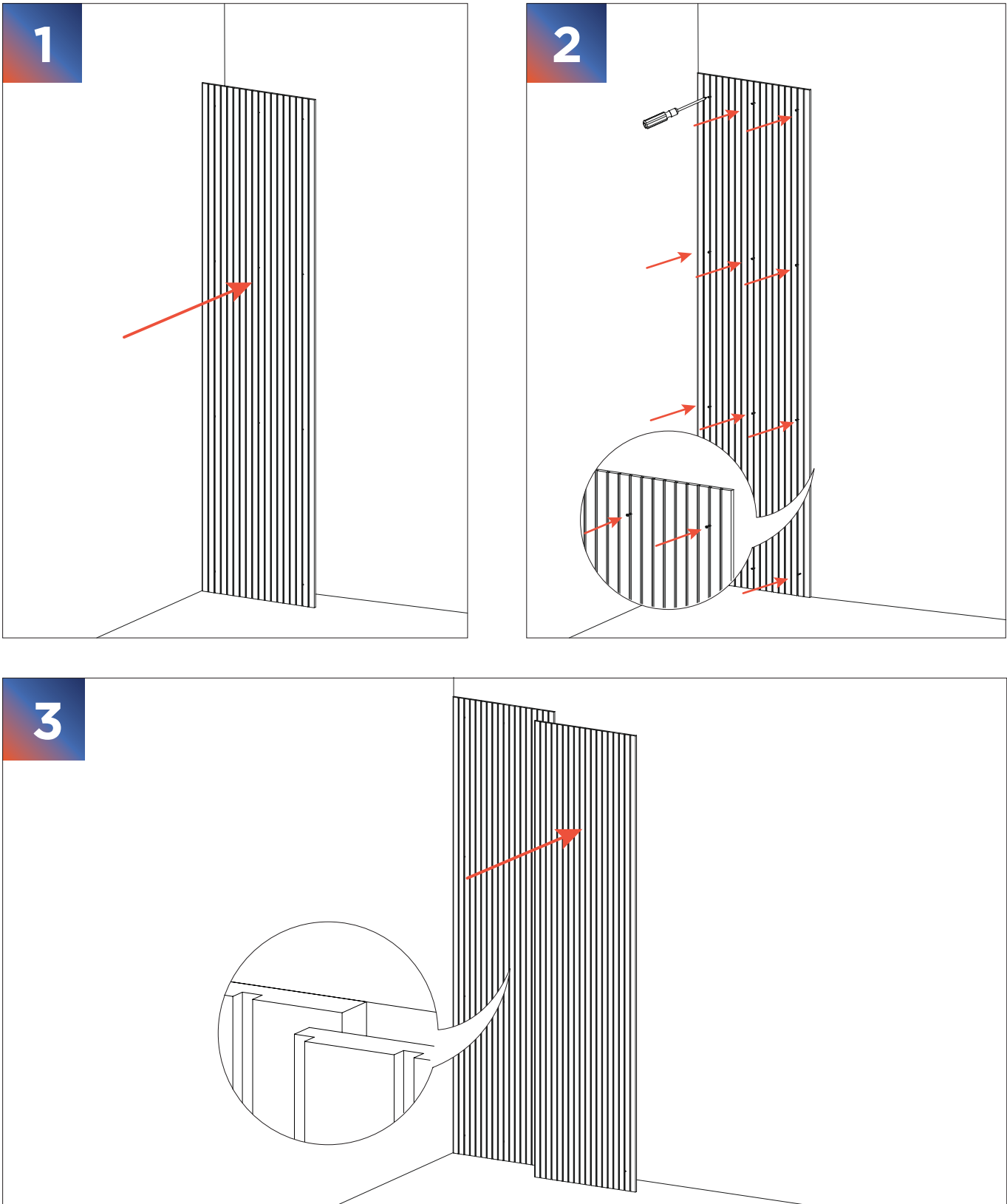
Before installing the panels, measure the wall where you are going to apply them. If necessary, make the necessary cuts to ensure a proper installation. The cuts can be done as indicated below.



- Longitudinal cut following the PET groove, with the help of a box cutter.
- Longitudinal cut on the laminated area, with the help of a circular saw with ~ 60-Tooth blade.
- Transversal cut with the help of a circular saw with ~ 60-Tooth blade.
- Round hole with the help of a hole saw.

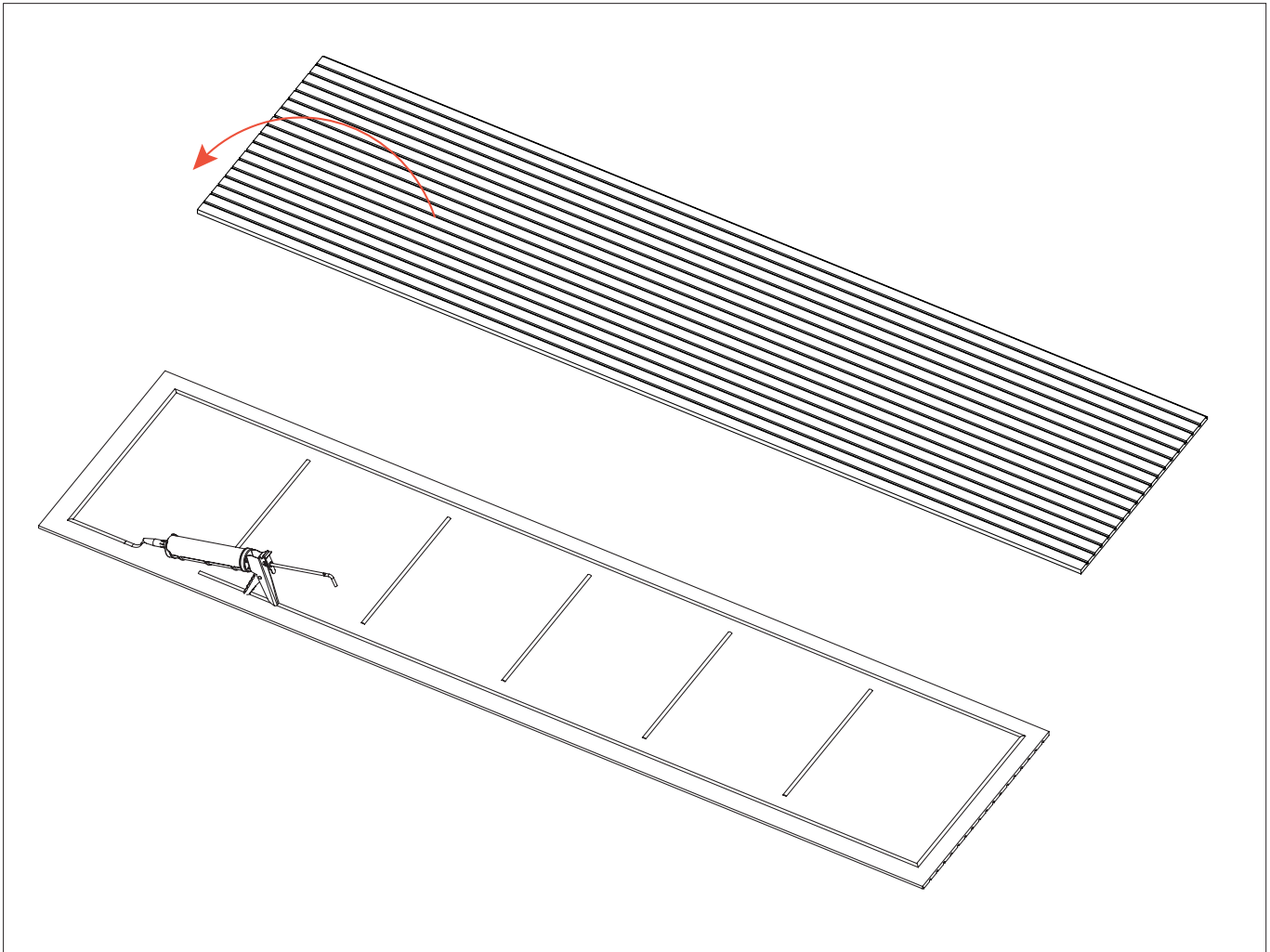
**WALL INSTALLATION WITH SCREWS:**

(Only in the Uni-VicStrip single line version) - For application to plasterboard walls or wooden structures, install the Uni-VicStrip with the screws provided, inserting them into the panel grooves and attaching them to the supporting wall or wooden structure. As an alternative, you can also use glue.



### WALL INSTALLATION WITH GLUE:

For application on masonry or concrete walls, it is recommended to apply glue (not included). Apply the glue on the back of the Uni-VicStrip panel, according to the diagram. Place the panel on the suitably chosen position on the wall. Once in the desired place, press it firmly against the wall.



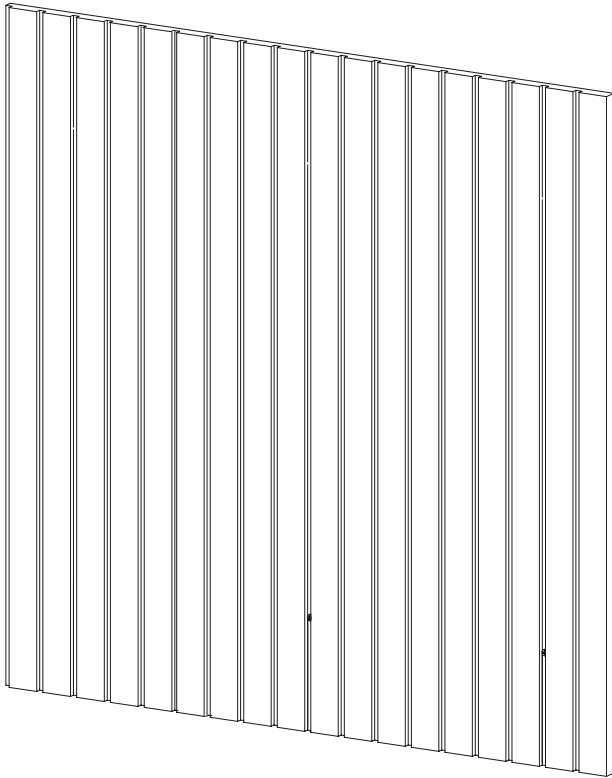
To ensure that you maximise the strength of the glue, don't make any adjustments to the panel after bonding.

*Wall and ceiling surfaces should be examined prior to installation, ensuring they are clean, smooth, and dry. If you have unpainted gypsum board surfaces, these should be primed with a drywall primer (or another material manufactured especially for the purpose), to equalize the absorption between the gypsum board face paper, joint compound, and skin coating materials. You should then apply the paint, and allow air circulation in order to dry the paint within the time frame specified by the paint manufacturer. Please ensure the paint is dry before installing the panel. Make sure the room has all the necessary conditions to receive the panels.*

## Installation Manual

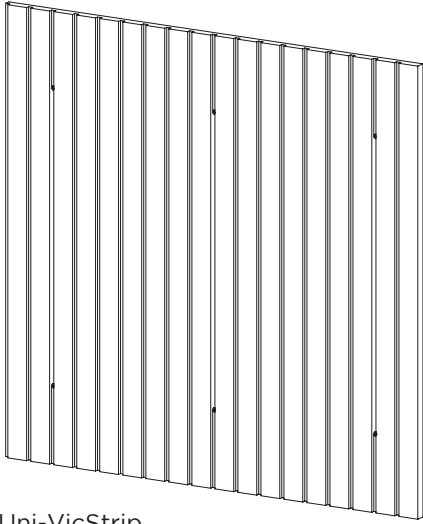
---

# Uni-VicStrip Square



**MATERIAL NEEDED:**

**Included**

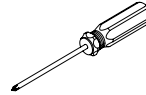


Uni-VicStrip

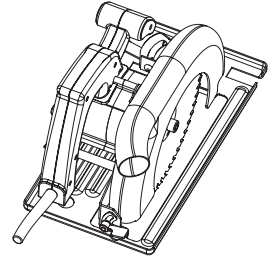


Screws (Only in the Uni-VicStrip single line version)

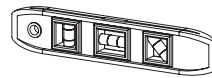
**Not Included**



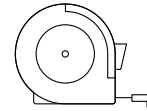
Screwdriver



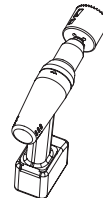
Circular saw



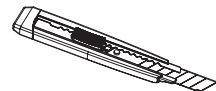
Level



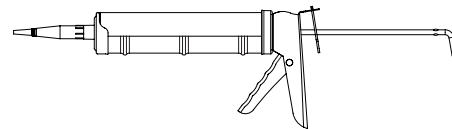
Measuring Tape



Hole saw



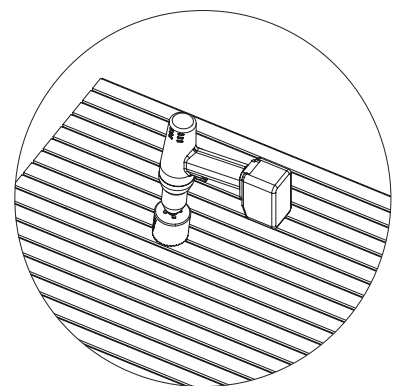
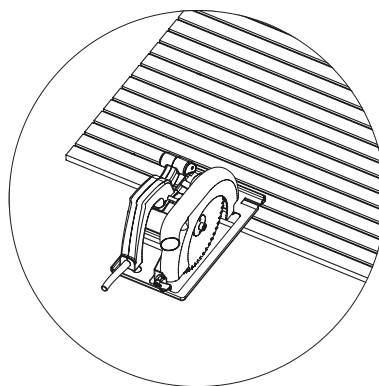
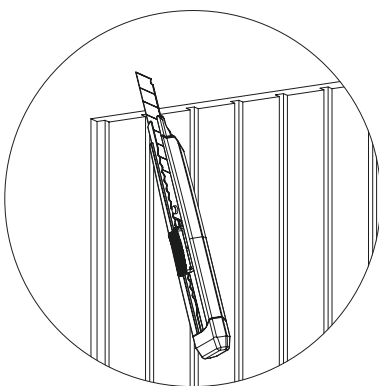
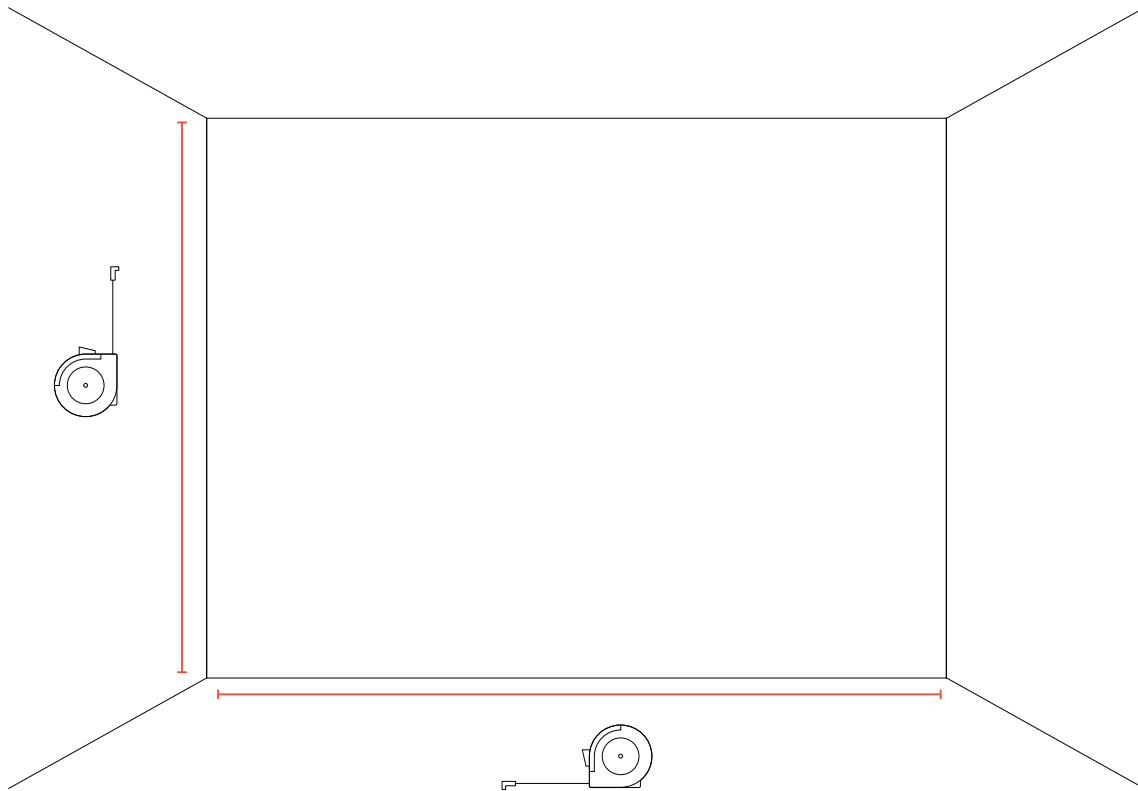
Box cutter



Flexi Glue Ultra

1

Before installing the panels, measure the wall where you are going to apply them. If necessary, make the necessary cuts to ensure a proper installation. The cuts can be done as indicated below.

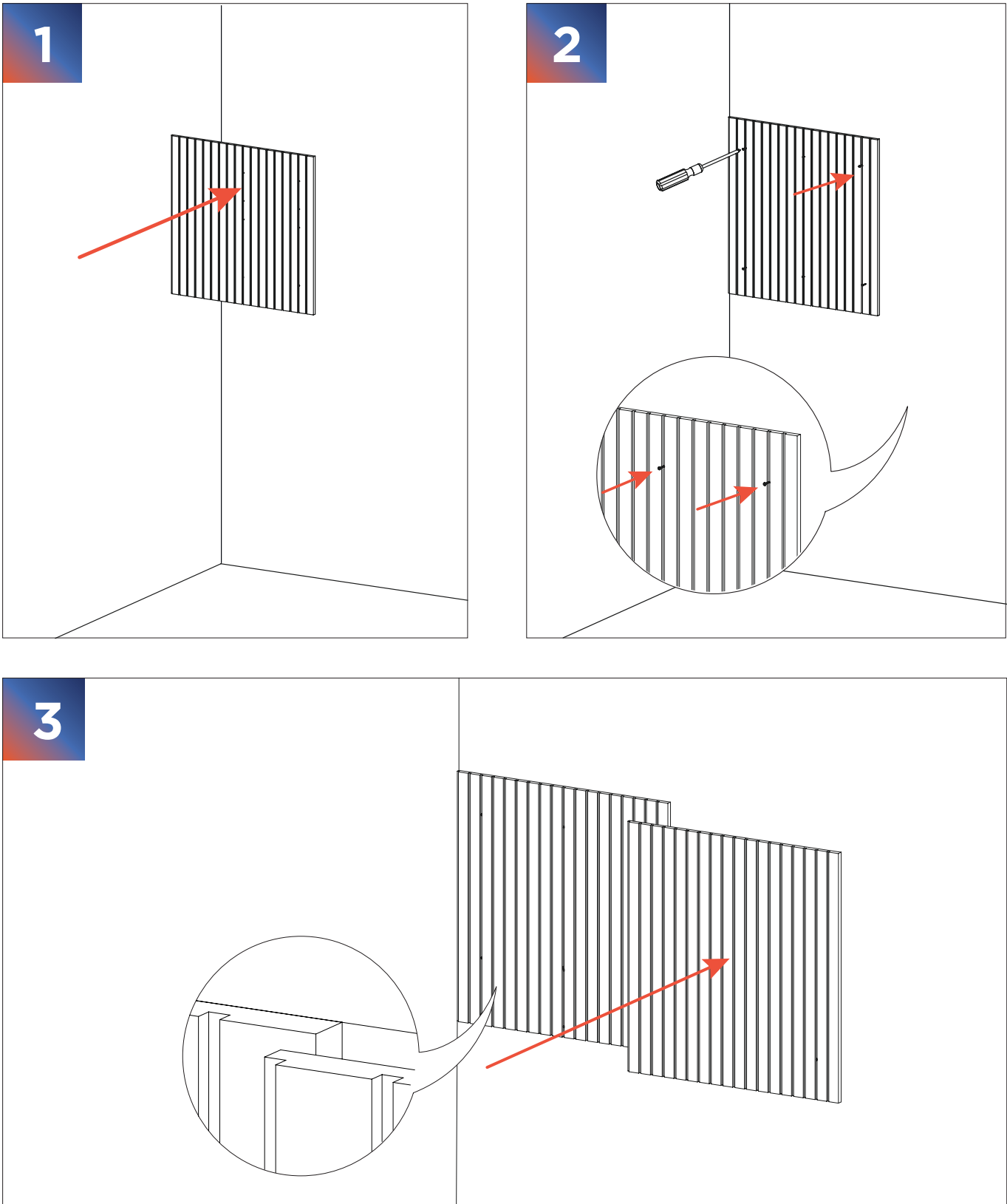


- Longitudinal cut following the PET groove, with the help of a box cutter.
- Longitudinal cut on the laminated area, with the help of a circular saw with ~ 60-Tooth blade.
- Transversal cut with the help of a circular saw with ~ 60-Tooth blade.
- Round hole with the help of a hole saw.



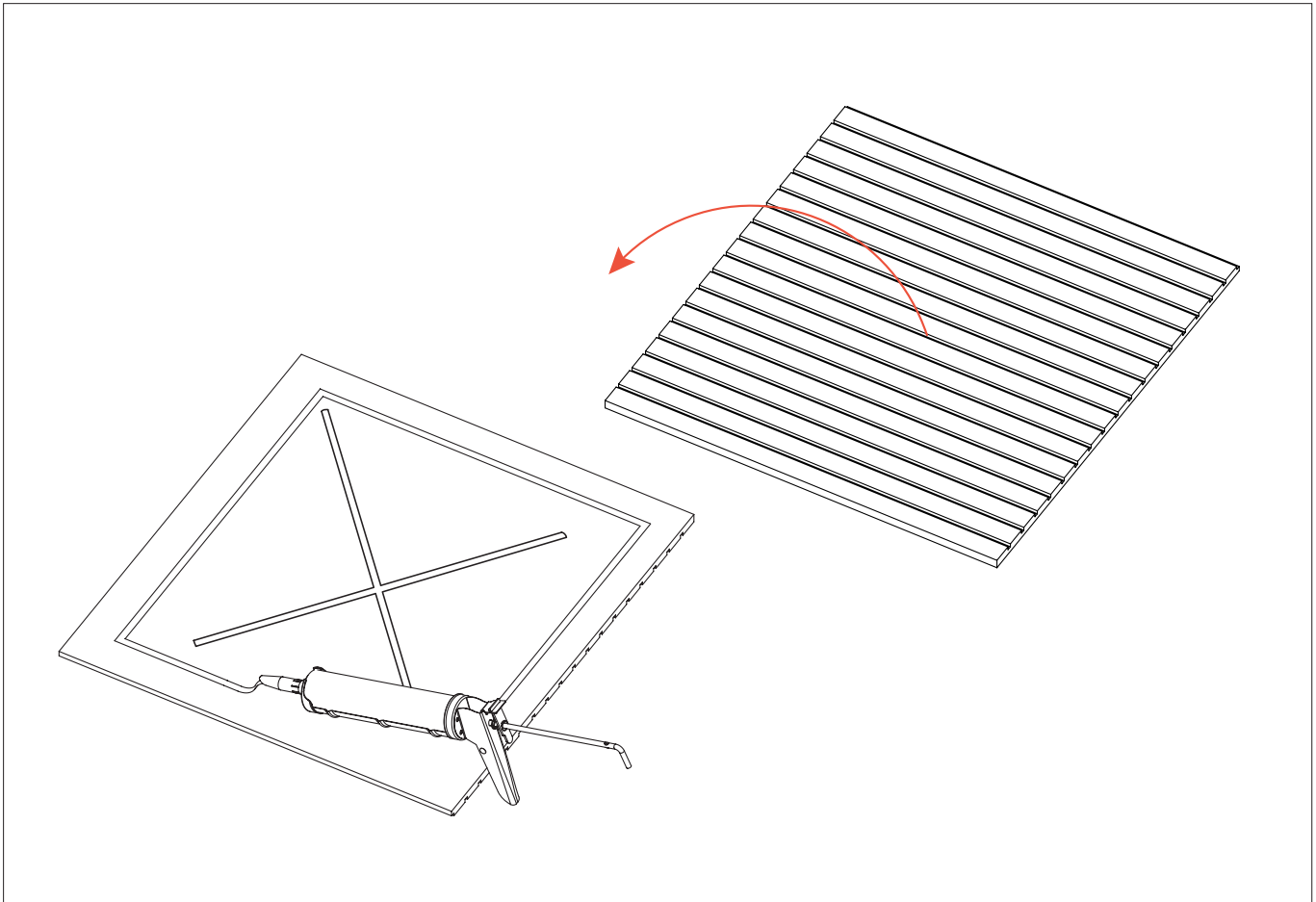
**WALL INSTALLATION WITH SCREWS:**

(Only in the Uni-VicStrip single line version) - For application to plasterboard walls or wooden structures, install the Uni-VicStrip with the screws provided, inserting them into the panel grooves and attaching them to the supporting wall or wooden structure. As an alternative, you can also use glue.



### WALL INSTALLATION WITH GLUE:

For application on masonry or concrete walls, it is recommended to apply glue (not included). Apply the glue on the back of the Uni-VicStrip panel, according to the diagram. Place the panel on the suitably chosen position on the wall. Once in the desired place, press it firmly against the wall.



To ensure that you maximise the strength of the glue, don't make any adjustments to the panel after bonding.

*Wall and ceiling surfaces should be examined prior to installation, ensuring they are clean, smooth, and dry. If you have unpainted gypsum board surfaces, these should be primed with a drywall primer (or another material manufactured especially for the purpose), to equalize the absorption between the gypsum board face paper, joint compound, and skin coating materials. You should then apply the paint, and allow air circulation in order to dry the paint within the time frame specified by the paint manufacturer. Please ensure the paint is dry before installing the panel. Make sure the room has all the necessary conditions to receive the panels.*



**Head Office:** Unit No.2G, Laxmi Industrial Estate, New Link Road, Andheri (W), Mumbai - 400 053.

**R&D Office:** Survey No. 271/4, New Sr. No. 3099/1, Village - Khattalwada, Malkhet, Near Gram Panchayat  
Malkhet, Taluka - Umbergaon, Dist - Valsad, Gujarat - 396 120.

**Info and Sales:** [info@uniacoustic.com](mailto:info@uniacoustic.com)

[www.uniacoustic.com](http://www.uniacoustic.com)