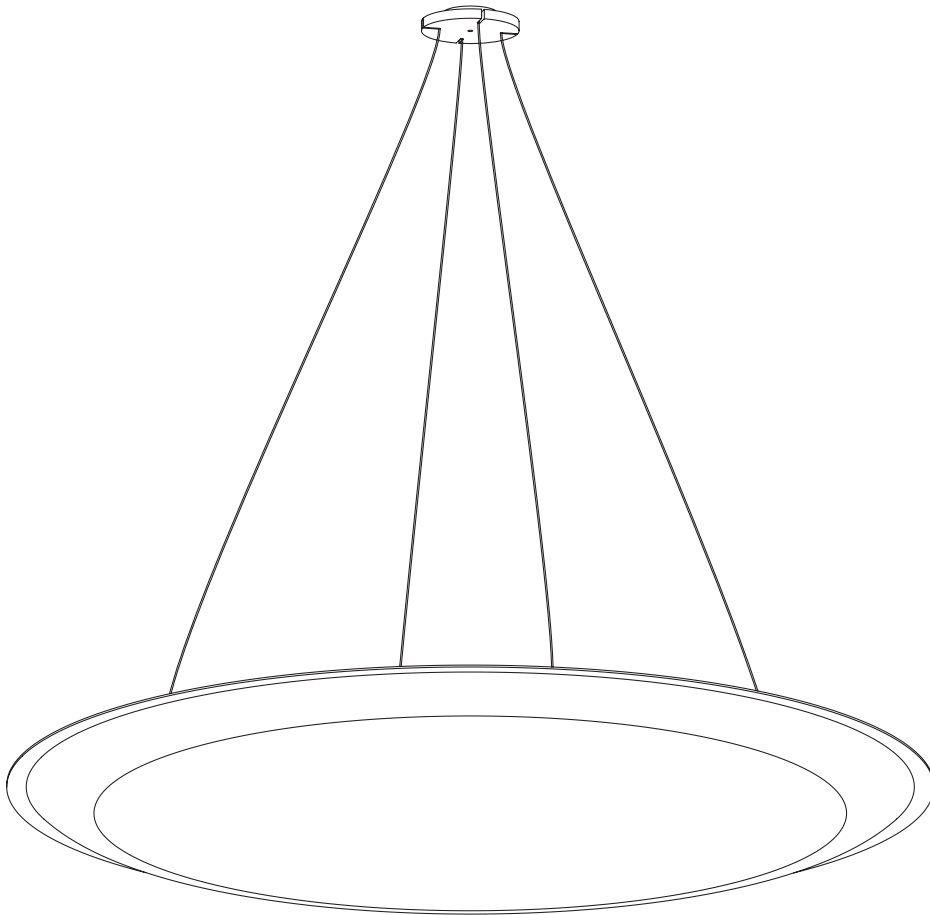


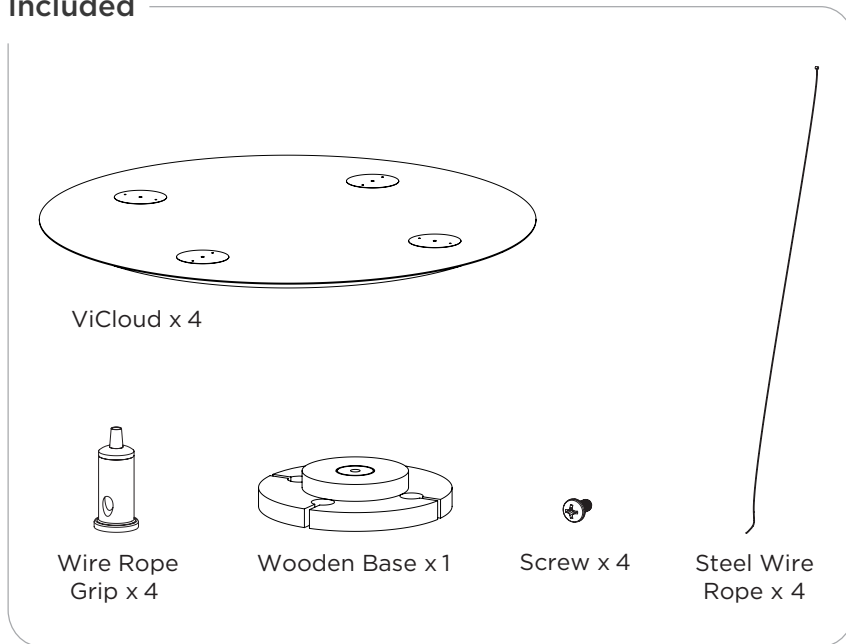
Installation Manual

ViCloud VMT 3D

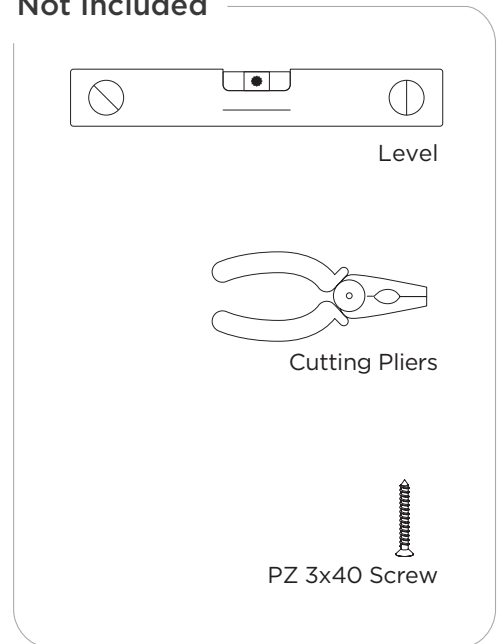


MATERIAL NEEDED:

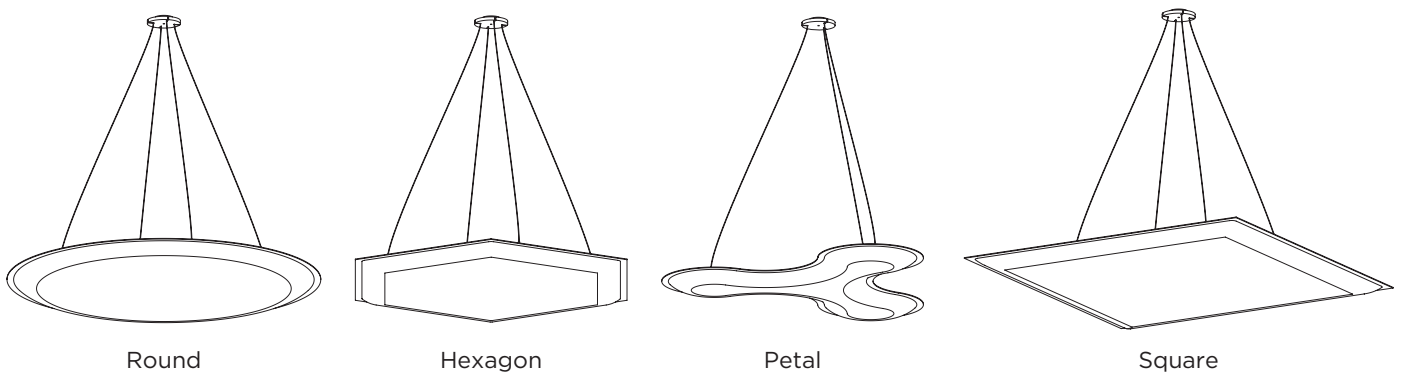
Included



Not Included

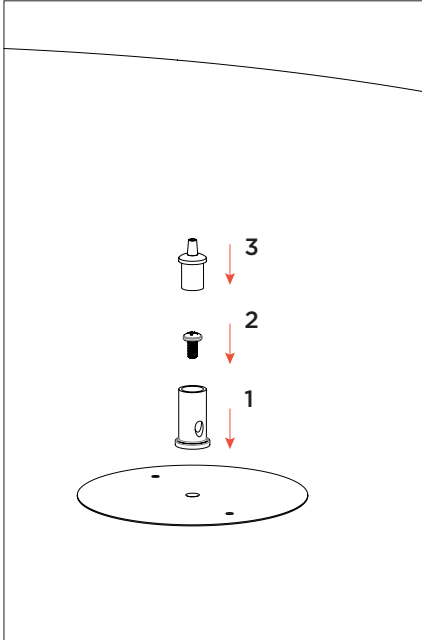


AVAILABLE FORMATS:

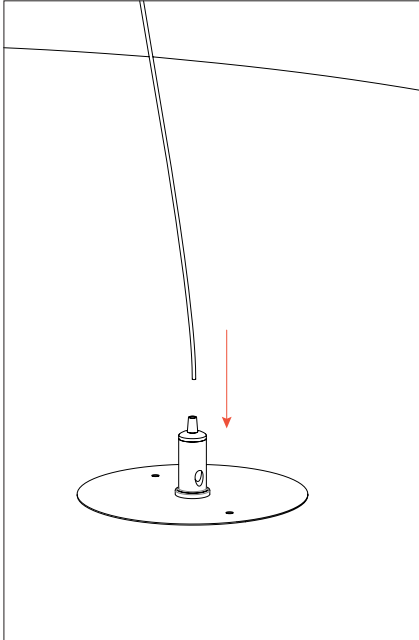


1

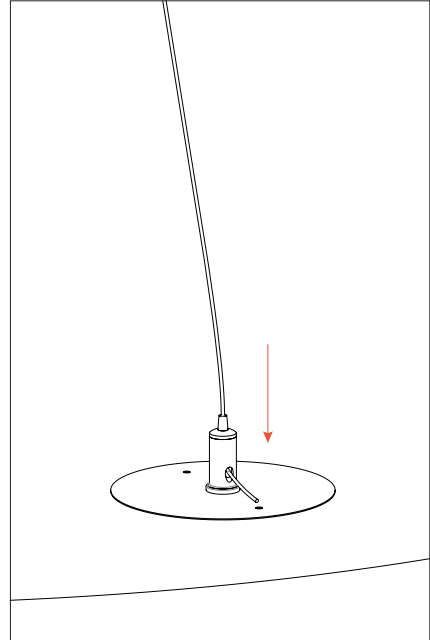
1.1



1.2

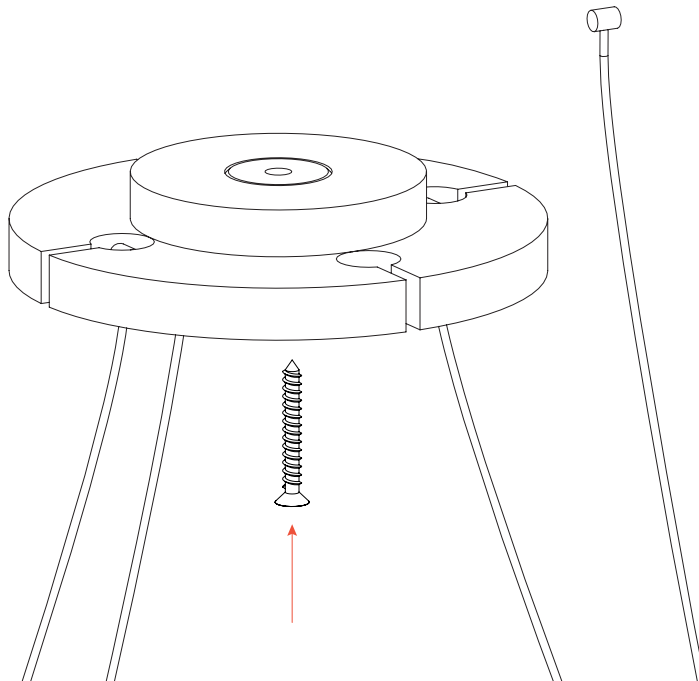
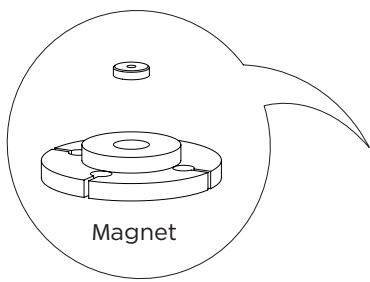


1.3



2

Insert the cables in the holes and then screw the wooden base to the ceiling using a screwdriver (not included). In alternative, use the magnetic fixation. Fine tune length of the steel cables to level the ViCloud.





Head Office: Unit No.2G, Laxmi Industrial Estate, New Link Road, Andheri (W), Mumbai - 400 053.

R&D Office: Survey No. 271/4, New Sr. No. 3099/1, Village - Khattalwada, Malkhet, Near Gram Panchayat
Malkhet, Taluka - Umbergaon, Dist - Valsad, Gujarat - 396 120.

Info and Sales: info@uniacoustic.com

www.uniacoustic.com